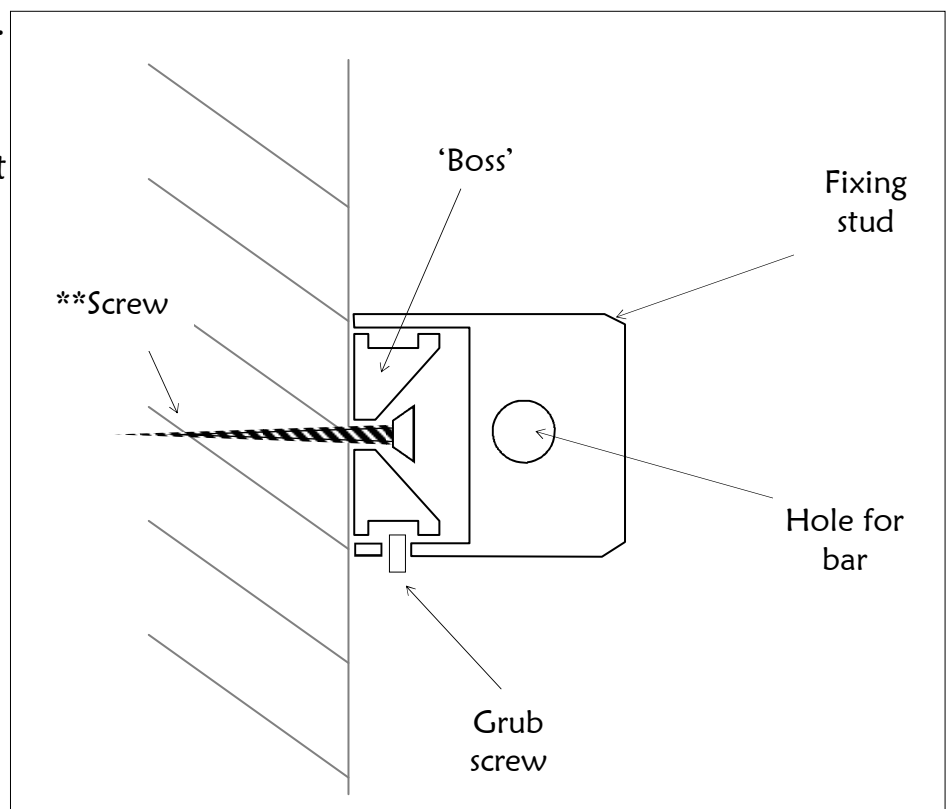


PW2: Acrylic poster holders hooked over wall-mount s/s bars

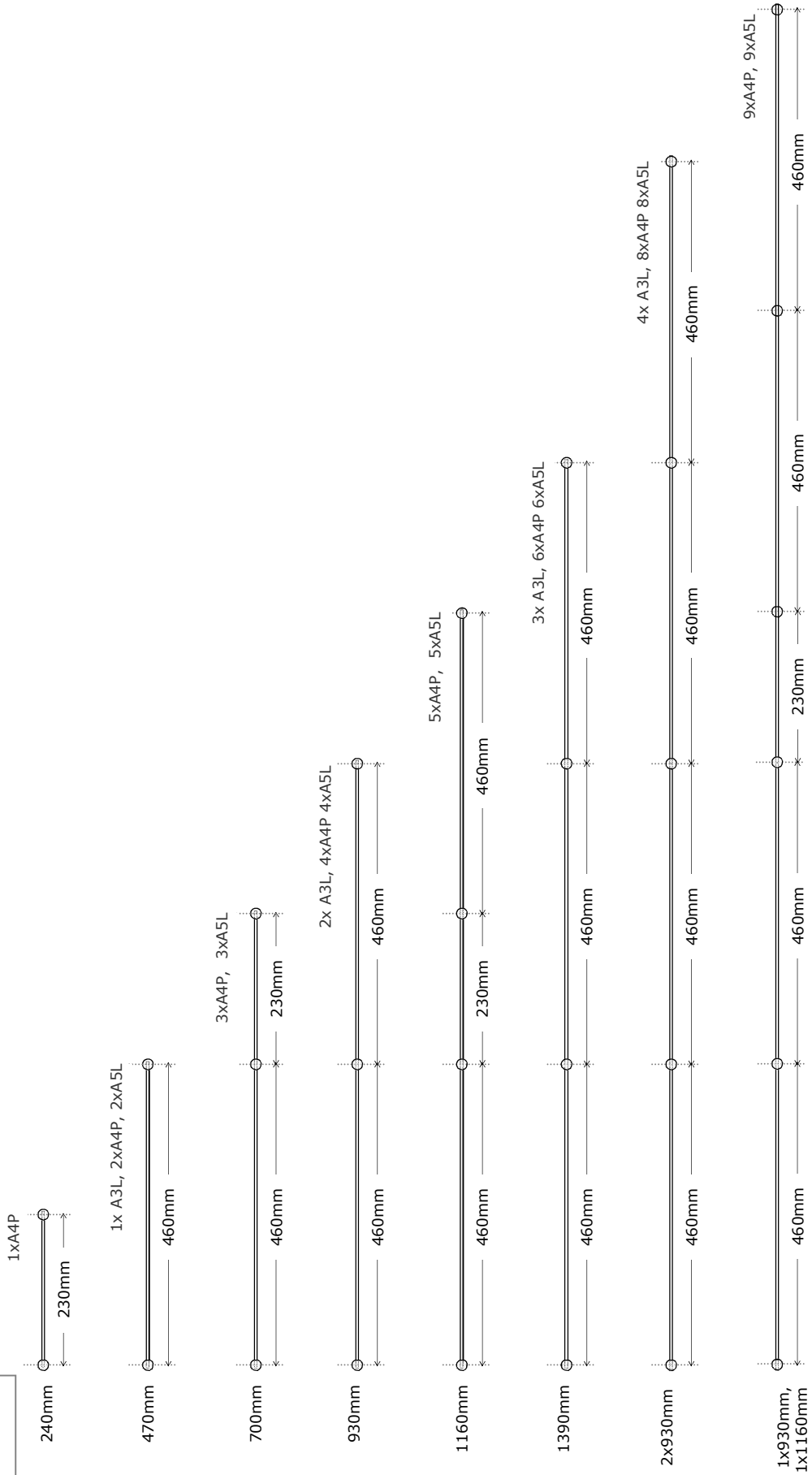
1. Use a straight edge and a spirit level to mark a line on the wall at the height you wish the top of the poster holders to be.
2. Drill fixing points at centres shown in the appropriate diagram (page 2 for A3L, A4P and A5L displays; page 3 for A3P, A4L and A5P displays)
eg:
460mm apart (to fit 2x A4P)
230mm apart (to fit 1x A4P)
3. Separate the fixing studs into two parts (by undoing the grub screw holding the parts together using the allen key provided). Also loosen the second grub screw in the fixings to allow the stainless steel bar to slide through the hole.
4. Fix bosses (brass parts) to the wall.
5. Slide the fixing studs on to the bars and fix end studs approximately in place by tightening up the grub screws with the allen key provided.
6. Offer the bar to the wall and fix the studs over the bosses, adjusting placement of the studs along the bar as required. Tighten in place using the allen key.
7. Adjust the bar until it is central.
8. Tighten all grub screws.
9. For extension bars, make a butt joint inside the stud.
10. Hook the poster holders over the bars.

**Screws are not provided - use a fixing appropriate to the surface to which the display is being fitted (board, brick, plasterboard etc)



SPACINGS - A5L, A4P and A3L poster holders

Length of bar
supplied



SPACINGS - A5P, A4L and A3P poster holders

Length of bar
supplied

